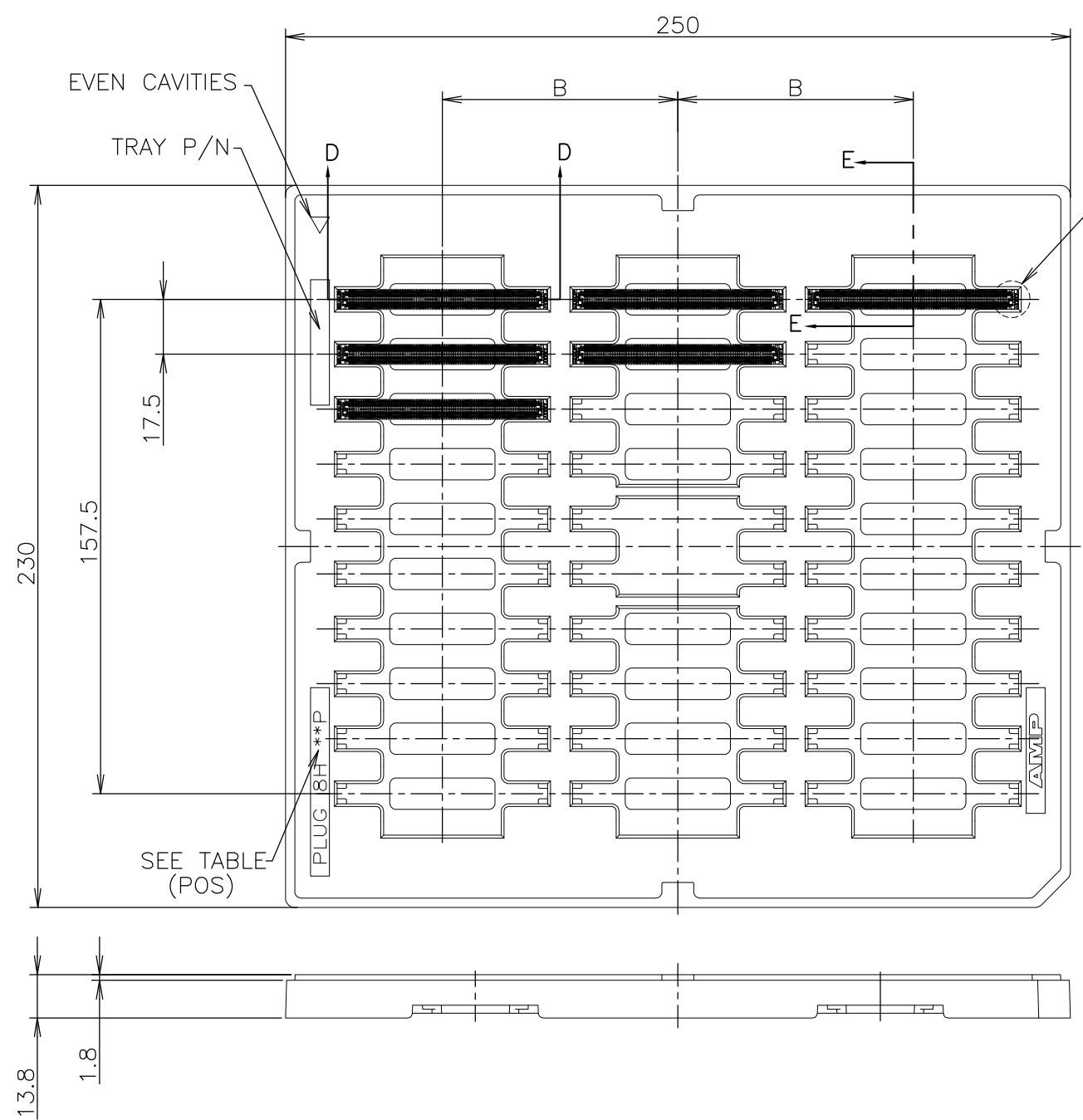
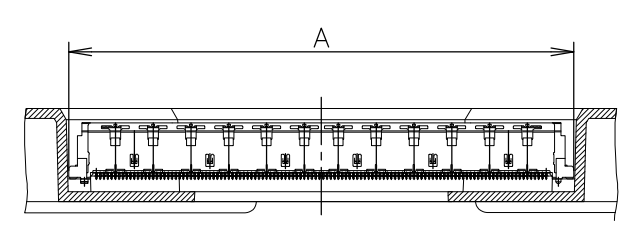


THIS DRAWING IS UNPUBLISHED. RELEASED FOR PUBLICATION .2005.  
 © COPYRIGHT 2005 BY TYCO ELECTRONICS CORPORATION. ALL RIGHTS RESERVED.

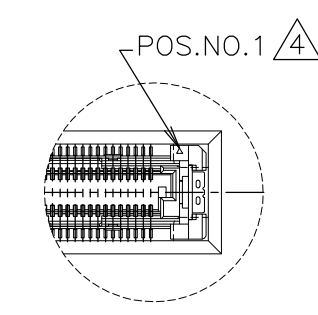
LOC	DIST	REVISIONS			
P	LTR	DESCRIPTION	DATE	DWN	APVD
J	/	C	REVISED	09DEC2009	C.O Y.N



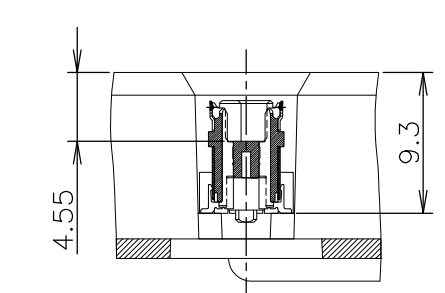
SEE DETAIL C



SECT. D-D  
(SCALE 2:1)  
(CONNECTOR NOT SECTION)



DETAIL C  
(SCALE 2:1)



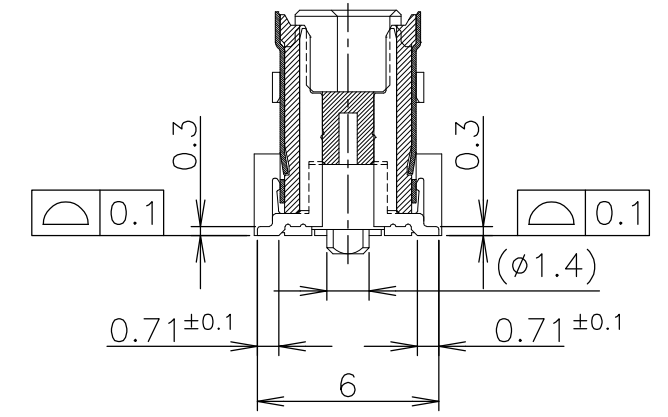
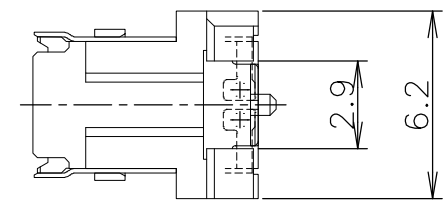
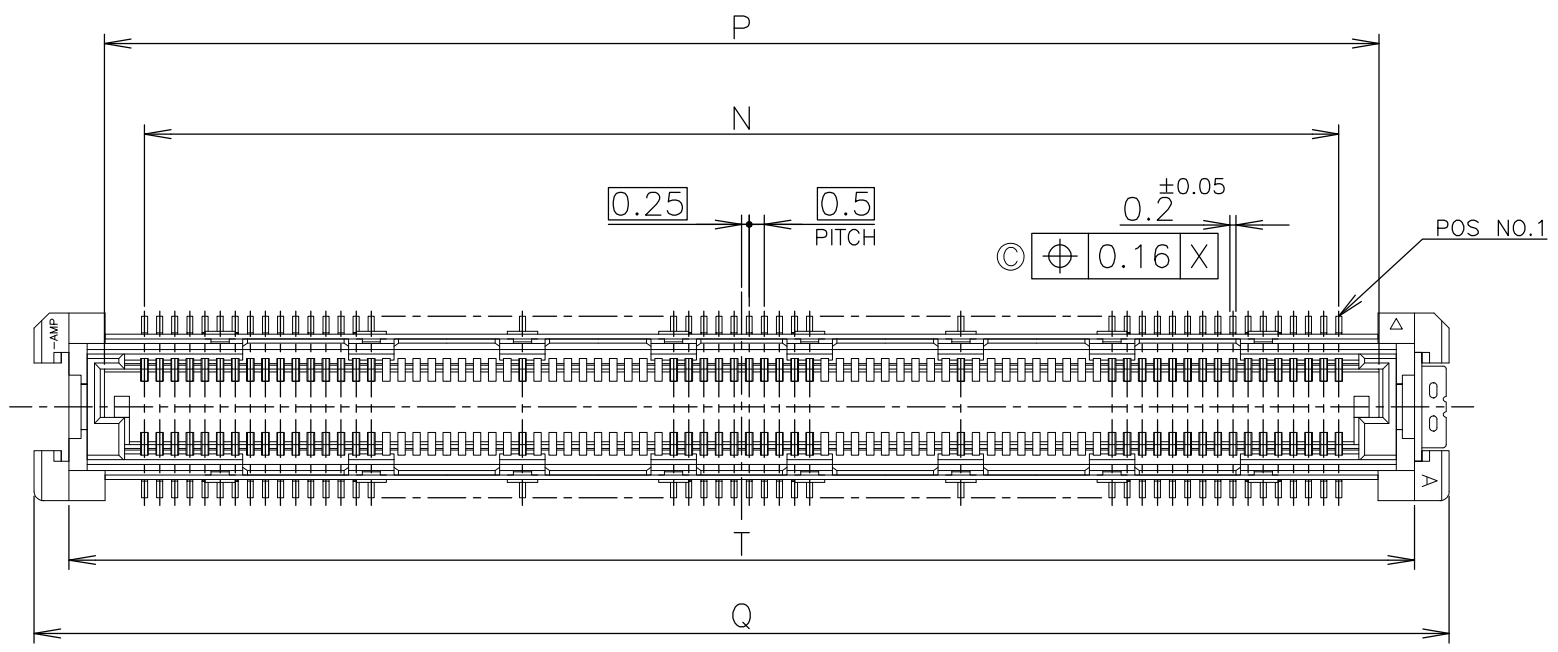
SECT. E-E  
(SCALE 2:1)

YES $\Delta$	3	30	75	61.8	220	8-6318491-6
NO	3	30	75	61.8	220	3-6318491-6
SEALANT	ROW	QTY	B	A	POS.	PART NO.

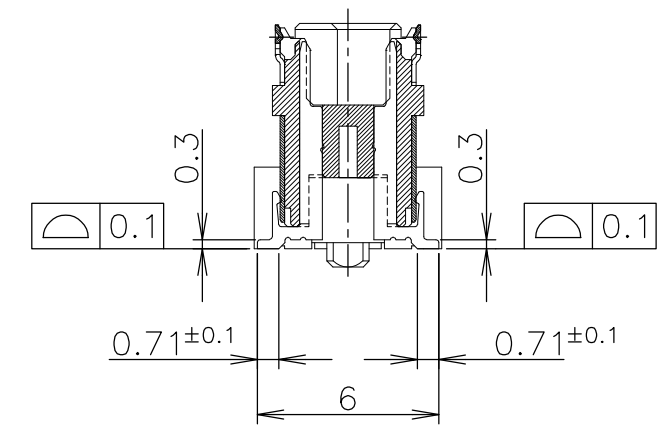
THIS DRAWING IS A CONTROLLED DOCUMENT.		DWN S.CHIEN 26SEP05	Tyco Electronics AMP K.K. Kawasaki, Japan				
DIMENSIONS: MM		CHK T.FUTATSUGI 26SEP05					
TOLERANCES UNLESS OTHERWISE SPECIFIED:		APVD W.KODAMA 26SEP05	NAME				
0 PLC $\pm 0.3$ 1 PLC $\pm 0.3$ 2 PLC $\pm 0.3$ 3 PLC $\pm 0.3$ 4 PLC $\pm 0.3$ ANGLES $\pm 3'$		PRODUCT SPEC 108-5560	HARD TRAY ASSY FH 0.5BTB CONNECTOR 220POS PLUG 8H WITH GROUND PLATE				
MATERIAL		FINISH	APPLICATION SPEC	SIZE	CAGE CODE	DRAWING NO	RESTRICTED TO
			WEIGHT	A3	00779	C-6318491	
CUSTOMER DRAWING			SCALE 1:2	SHEET 1 OF 3	REV C		

THIS DRAWING IS UNPUBLISHED. RELEASED FOR PUBLICATION NOV , 1996.  
 © COPYRIGHT 1996 BY TYCO ELECTRONICS CORPORATION. ALL RIGHTS RESERVED.

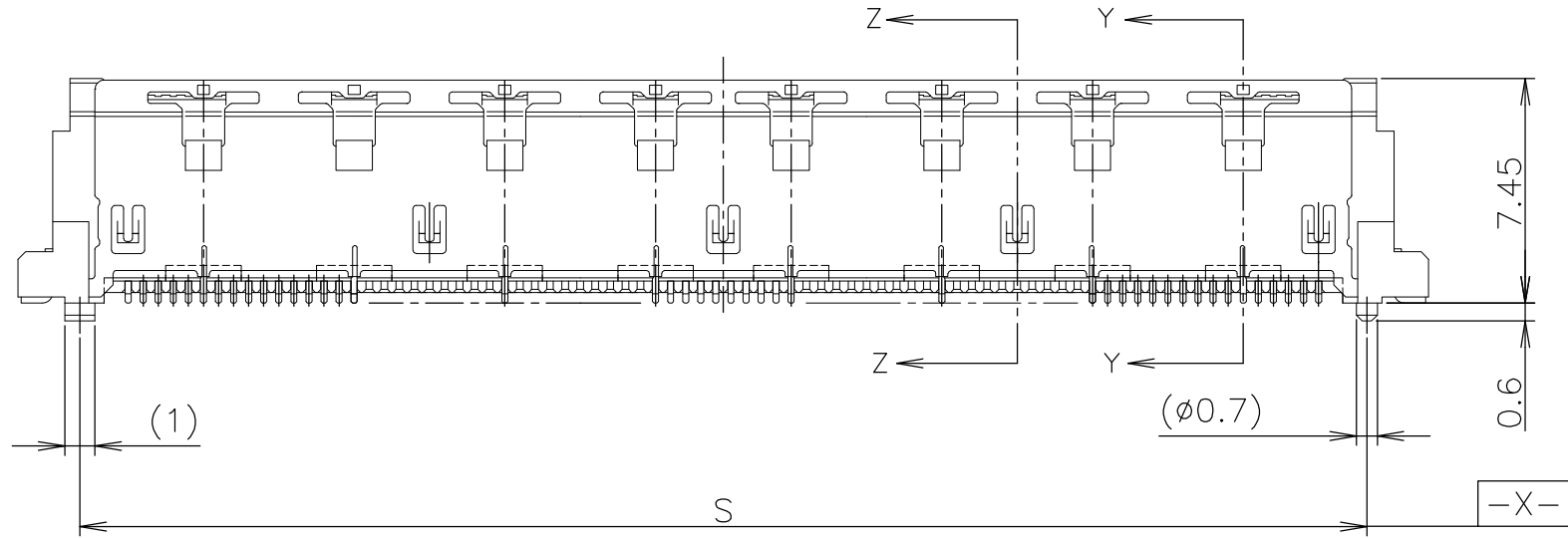
LOC	DIST	REVISIONS					
J	/	P	LTR	DESCRIPTION	DATE	DWN	APVD
		-		SEE SHEET 1	-	-	-



SECT. Z-Z  
(SIGNAL POSITION)



SECT. Y-Y  
(GROUND POSITION)



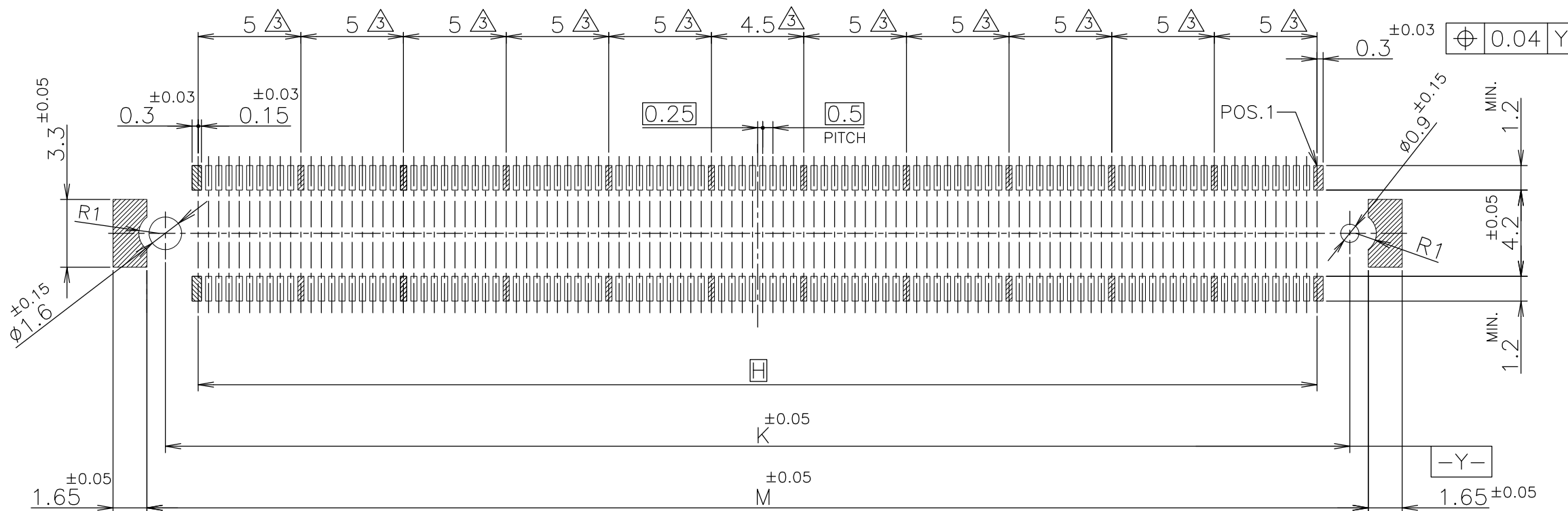
- NOTE:**
- ① MATERIAL ; HOUSING : HIGH TEMP THERMO PLASTIC UL94V-0  
CONTACT : COPPER ALLOY  
SOLDER PEG : COPPER ALLOY
  - ② FINISH ; SIGNAL CONTACT : UNDER PL Ni 0.0013mm MIN ALL OVER.  
CONTACT AREA 0.0002mm MIN Au PL.  
SOLDERING AREA 0.001mm MIN TIN PL.  
GROUND CONTACT : UNDER PL Ni 0.0013mm MIN ALL OVER.  
CONTACT AREA 0.0002mm MIN Au PL.  
SOLDERING AREA 0.001mm MIN TIN PL.  
SOLDER PEG : 0.001mm MIN TIN PL. OVER  
0.0013mm MIN Ni PL ALL OVER.
  - ③ THIS POSITION IS GROUND CIRCUIT.
  - ④ THIS PRODUCT WAS COATED BY FLUX-PENETRATION-INHIAITING AGENT.

59.5	57.7	61.8	57.1	54.5	220	BLACK	8-6318491-6
59.5	57.7	61.8	57.1	54.5	220	BLACK	3-6318491-6
T	S	Q	P	N	POS.	HSG COLOR	PART NO.

THIS DRAWING IS A CONTROLLED DOCUMENT.		DWN		Tyco Electronics Kawasaki, Japan	
DIMENSIONS: MM		CHK			
TOLERANCES UNLESS OTHERWISE SPECIFIED:		APVD		NAME	
0 PLC ± 0.3 1 PLC ± 0.3 2 PLC ± 0.3 3 PLC ± 0.3 4 PLC ± 0.3 ANGLES ± 3°		PRODUCT SPEC		HARD TRAY ASSY	
MATERIAL ①		FINISH ②		FH 0.5BTB CONNECTOR 220POS PLUG 8H WITH GROUND PLATE	
CUSTOMER DRAWING		WEIGHT		RESTRICTED TO	
		SIZE A3		CAGE CODE 00779	
		DRAWING NO. C-6318491		SCALE 4:1	
		SHEET 2 OF 3		REV C	

THIS DRAWING IS UNPUBLISHED. RELEASED FOR PUBLICATION NOV, 1996.  
 © COPYRIGHT 1996 BY TYCO ELECTRONICS CORPORATION. ALL RIGHTS RESERVED.

LOC	DIST	REVISIONS			
P	LTR	DESCRIPTION	DATE	DWN	APVD
		SEE SHEET 1	-	-	-



REFERENCE P.C.BOARD LAYOUT

59.5	57.7	54.5	220	8-6318491-6
59.5	57.7	54.5	220	3-6318491-6
M	K	H	POS	PART NO.

THIS DRAWING IS A CONTROLLED DOCUMENT.		DWN	Tyco Electronics AMP K.K. Kawasaki, Japan		
DIMENSIONS: MM		CHK	NAME		
TOLERANCES UNLESS OTHERWISE SPECIFIED:		APVD	HARD TRAY ASSY		
0 PLC ± 0.3		PRODUCT SPEC	FH 0.5BTB CONNECTOR 220POS		
1 PLC ± 0.3		APPLICATION SPEC	PLUG 8H WITH GROUND PLATE		
2 PLC ± 0.3		WEIGHT	SIZE	CAGE CODE	DRAWING NO
3 PLC ± 0.3		CUSTOMER DRAWING	A3	00779	C-6318491
4 PLC ± 0.3			SCALE	SHEET	OF
ANGLES ± 3'		4:1		3	3
FINISH		RESTRICTED TO		C	
1	2				